

THIS DRAWING IS UNPUBLISHED.

RELEASED FOR PUBLICATION

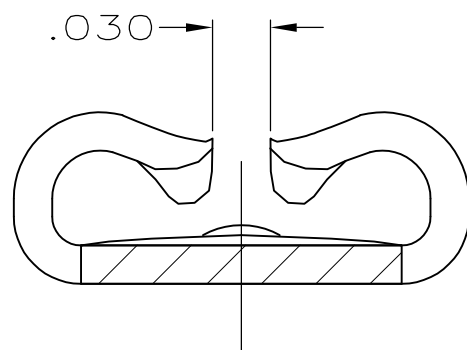
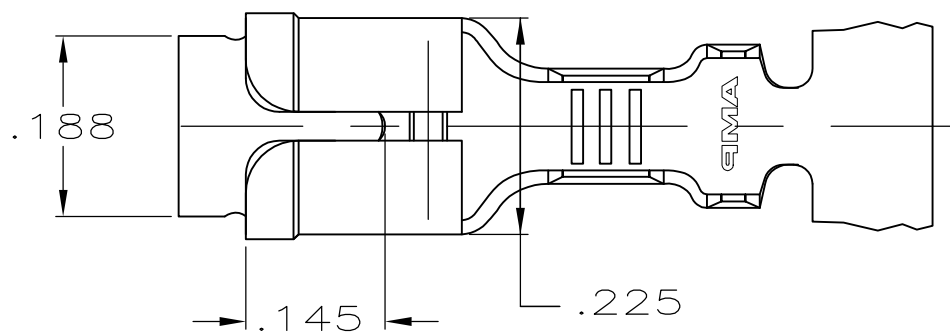
ALL RIGHTS RESERVED.

© COPYRIGHT - By -

LOC AF DIST 50

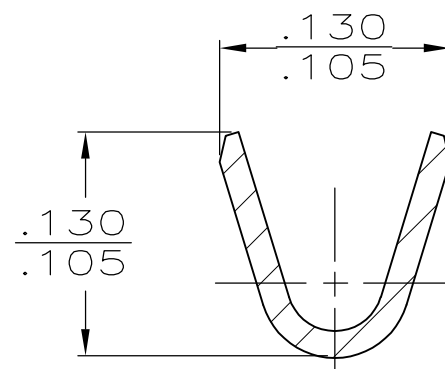
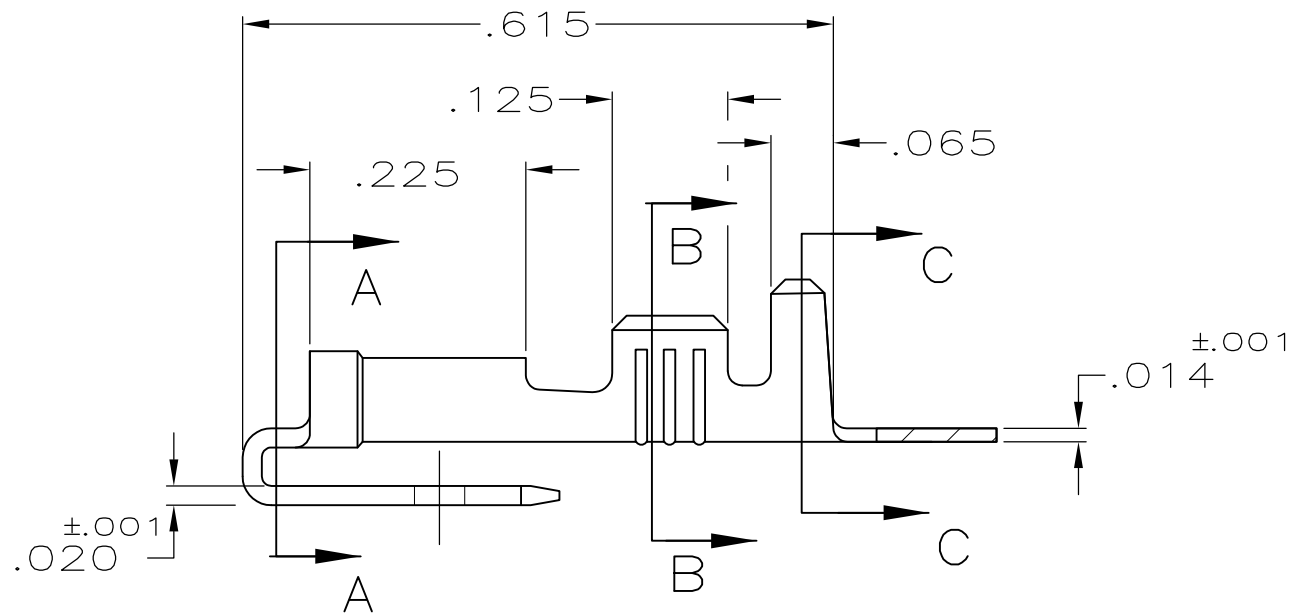
REVISIONS

P	LTR	DESCRIPTION	DATE	DWN	APVD
	C	REVISED PER ECR-12-013518	23NOV2012	KH	PD

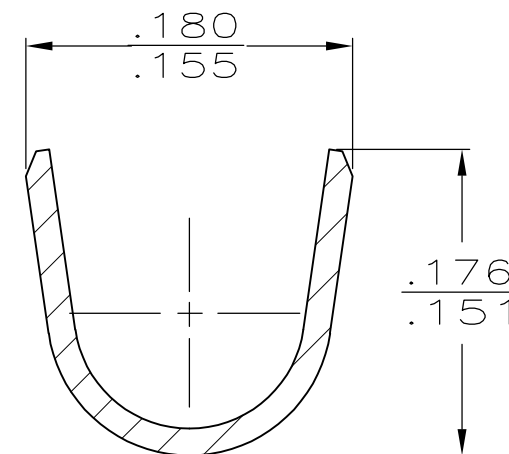


SECTION A-A  
SCALE 10:1

1 CONTINUOUS STRIP ON REELS.



SECTION B-B  
SCALE 10:1



SECTION C-C  
SCALE 10:1

TIN	.090-.130	20-16	.032	63646-2
-				63646-1
FINISH	INSULATION RANGE	WIRE SIZE	MATING TAB THK ±.001	PART NO

THIS DRAWING IS A CONTROLLED DOCUMENT.		DWN JR RUTH 4/23/92	TE Connectivity RECEPTACLE & TAB, FASTON, PIGGYBACK, .187 SERIES				
DIMENSIONS: INCHES		CHK P FORTNEY 4/23/92				NAME	
		APVD C MEYERS 4/23/92				SIZE CAGE CODE DRAWING NO RESTRICTED TO	
TOLERANCES UNLESS OTHERWISE SPECIFIED:		PRODUCT SPEC				A3 00779 C-63646	
MATERIAL BRASS		FINISH SEE TABLE	APPLICATION SPEC		SCALE 5:1 SHEET 1 OF 1 REV C		
			WEIGHT -		CUSTOMER DRAWING		